

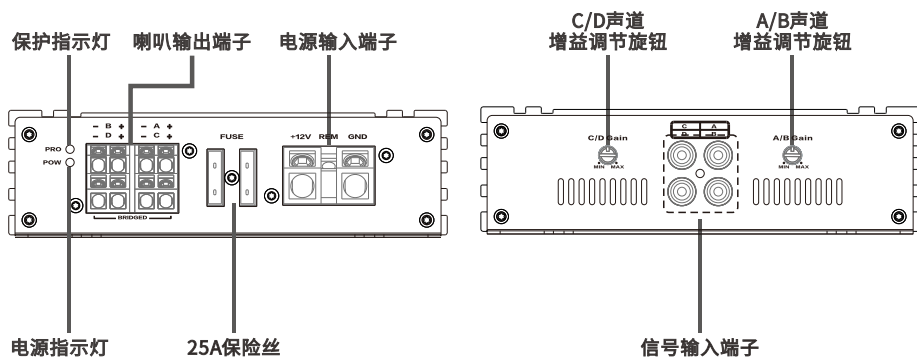
## 致尊贵的“雷贝琴”用户：

感谢您购买和使用“雷贝琴”产品。为了防止损坏设备和可能造成的伤害，请仔细阅读本手册并遵循所有安装步骤说明，以便您能熟悉放大器中的每一个控制和功能，并能发挥放大器的最大性能和特点，同时希望“雷贝琴”产品能给您带来悦耳的听音享受。此产品在装运前已做质量检查，为了得到合适的性能并确保全面保修范围，强烈建议此产品的安装由授权的“雷贝琴”经销商提供。

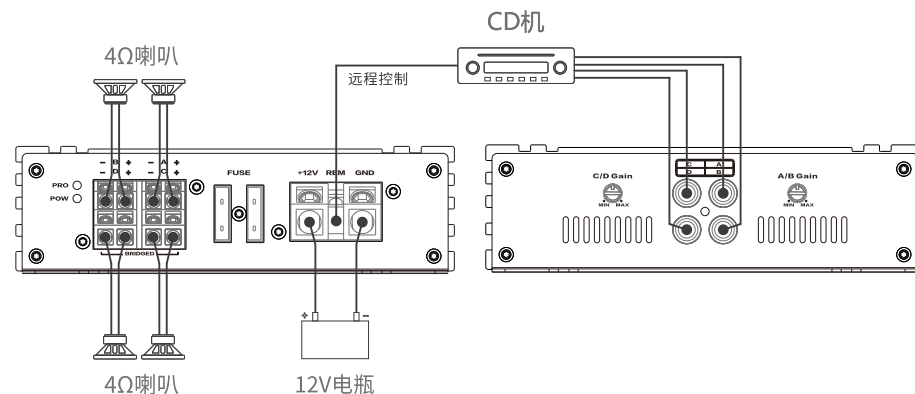
## 安装提示：

- 禁止自行拆卸和改动产品。自行拆卸和改动产品可能会导致事故、火灾或电击。
- 本产品建议在直流12-14.4V电压范围的汽车环境下使用，超过此电压范围时，产品可能会产生故障。
- 建议在安装过程中，电源和RCA分开至少20cm的距离安装，远离车上电子设备，防止受到信号干扰。
- 在接线前，务必先将电缆与电源端子断开，否则容易造成短路而引发火灾。
- 在安装和接地线时，请不要使用制动系统中的螺钉和螺帽，否则会导致制动系统失效而引发交通事故。
- 当出现无声、冒烟等情况时，请立即停止使用，并与你所在城市的雷贝琴经销商联系。
- 给电缆做好保护，防止拉扯、割裂造成损伤而引发短路。
- 音量应当调节在失真零界点以内。
- 为了得到安全、专业、可靠的安装，请把产品交给雷贝琴特许授权的改装服务店，由他们为您安装。

## 一、产品介绍



## 二、常规安装连接示意图



### 关于电源线的规格

电源和地线的规格对您的系统至关重要。如果线规太小您的放大器永远不会达到额定功率。更糟糕的是.....电流不足会导致放大器的电源过热并导致放大器故障。

## 三、技术参数

型号	ST85
输出功率有效值 @ 4欧姆负载	85 W x 4
桥接功率 @ 4欧姆负载	200 W x 2
功放类型	Class AB
频率响应	10 Hz-45,000 Hz
信噪比	≥105dB ( A-weighted )
失真度 (THD,1W)	<0.01%(1KHz)
输入灵敏度	0.6V-10V
保险丝	25A x 2
静态电流	0.6A
工作电压	10V-16V
尺寸(长x宽x高)	310x 168x 50mm

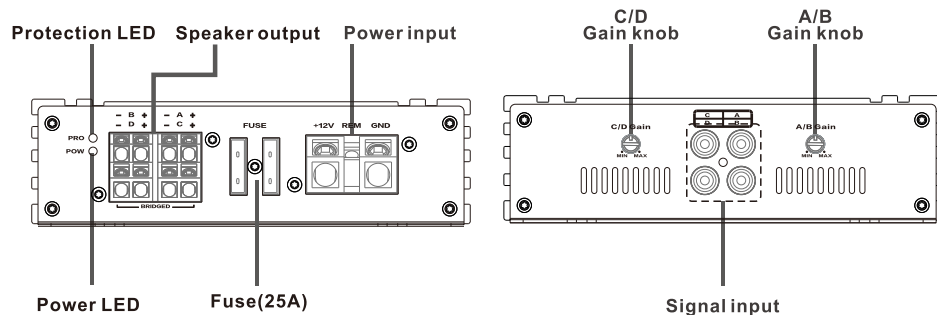
## To our esteemed "Rebec" users:

Thank you for your purchase and use of the "Rebec" products. To prevent damage to the equipment and possible injury, please read this manual carefully and follow all installation instructions so that you are familiar with each control and function in the amplifier and can maximize its performance and characteristics, at the same time, I hope that "Rebec" products can bring you a pleasant listening to enjoy. This product has been checked for quality prior to shipment, in order to obtain proper performance and ensure full warranty coverage, It is strongly recommended that the installation of this product be provided by an authorized "Rebec" dealer.

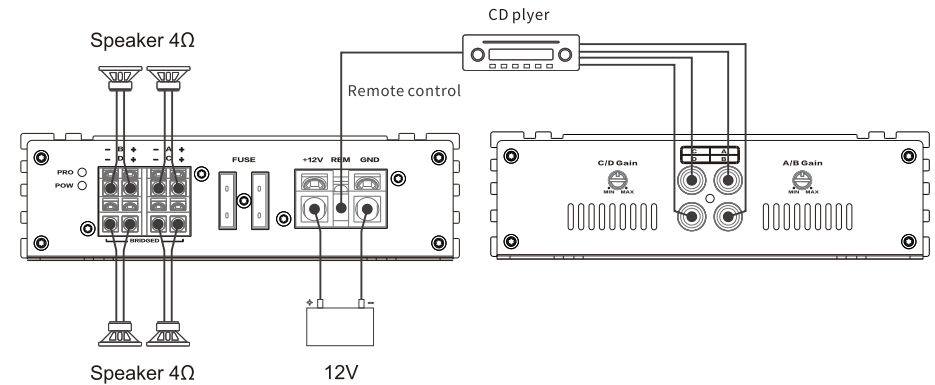
## Installation tip:

- It is forbidden to dismantle and change the product by oneself. disassembly and modification of the product may cause accidents, fire or electric shock.
- This product is recommended for use in automotive environments with a DC voltage range of 12-14.4 v beyond which failure may occur.
- It is recommended that during installation, the power supply and RCA should be installed at least 20 cm apart, away from the electronic equipment on the vehicle, to prevent interference from signals.
- Before wiring, be sure to disconnect the cable from the Power Terminal First, otherwise it is easy to cause short circuit and cause fire.
- Do not use the screws and nuts in the brake system when installing and grounding cables. This will cause the brake system to fail and cause an accident.
- In case of silence or smoke, please stop using it immediately and contact the "Rebec" dealer in your city.
- Protect the cable from damage caused by pulling, cutting and short-circuiting.
- The volume should be adjusted to within the distortion threshold. For a safe, professional and reliable installation, please hand the product over to "REBEC" licensed refit shop for your installation.

## 1、Product introduction



## 2、Connection instruction



### It Take Power to Make Power

The gauge of the power and ground wire is critical to your system. If the wire gauge is too small your amp will never produce its rated power. Even worse..... Straining to produce power from insufficient current can over-tax the power supply of your amp and cause amp failure.

## 3、Technical specification

Model	ST85
Output power RMS @4ohms	85 W x 4
Bridged power @4ohms	200 W x 2
Amplifier type	Class AB
Frequency response	10 Hz-45,000 Hz
Signal-to-noise input	≥105dB ( A-weighted )
Distortion ( THD )	<0.01%(1KHz)
Input level voltage	0.6V-10V
Fuse	25A x 2
Quiescent current	0.6A
Operating voltage	10V-16V
Dimnesions ( L×W×H )	310x 168x 50mm